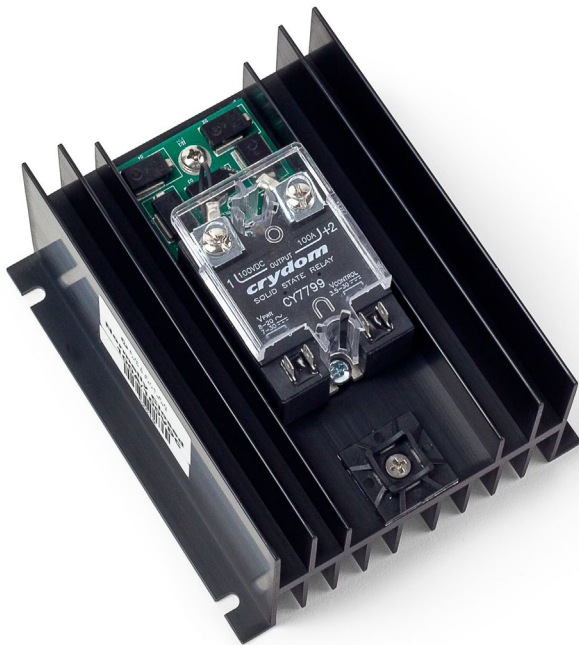


Bullhorn Solid State Relays



American Innovations' solid state relays satisfy cathodic protection (CP) interruption and switching needs, and are Built Bullhorn Tough.

Relays For:

- Interruption-capable Bullhorn Remote Monitors
- MicroMax Current Interrupters
- Other applications

Bullhorn Solid State Relays

Key Benefits

Normally Closed

Impressed current is maintained and cathodic protection is ensured, even if the interrupter loses power.

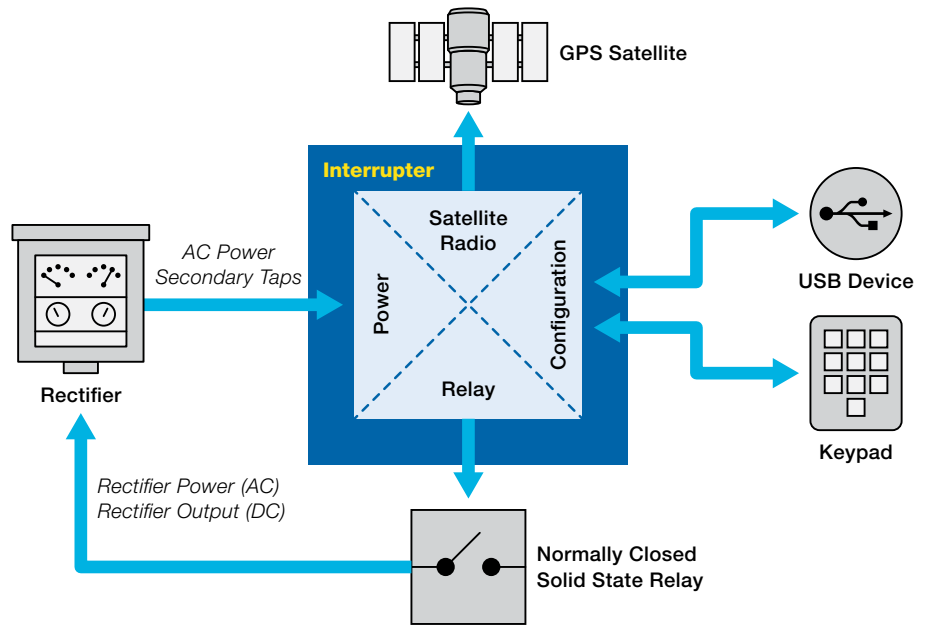
Solid State

Solid state relays operate with lower control current than mercury, have faster cycle times, and last longer.

Small

The relays are compact enough to fit inside most rectifiers, and can be mounted inside the rectifier using magnets.

American Innovations' line of normally closed solid state relays are optimized for cathodic protection applications, and satisfy interruption and switching needs for both AC and DC. They are available in current ranges of 0 A to 100 A, 80 A, and 20 A, and are compatible with all AI interrupters and interruption-enabled remote monitoring units. AC relays are available to interrupt the rectifier, while DC relays can be used to interrupt the rectified DC output. The 100 A DC solid state relay includes a unique AI-designed transient voltage suppression (TVS) technology that absorbs the inductive energy released during on/off switching and allows the relay to switch much higher currents than previously available.



Bullhorn Solid State Relays Specifications

	80 A AC Solid State Relay	100 A AC Solid State Relay	20 A DC Solid State Relay	100 A DC Solid State Relay
Load Current:	0-80 A AC	0-100 A AC	0-20 A DC	0-100 A DC
Load Voltage:	24-280 V AC	24-280 V AC	0-100 V DC	0-100 V DC
Control Current:	9.2 mA @ 12 V DC	9.2 mA @ 12 V DC	7.0 mA @ 12 V DC	7.0 mA @ 12 V DC
Relay Type:	NC	NC	NC with Power	NC with Power
Compliance:	Certified to UL, CSA, VDE, CE	Certified to UL, CSA, VDE, CE	Designed to UL, CSA, VDE, CE	Designed to UL, CSA, VDE, CE
Dimensions:	4.75" W x 5.5" L x 2.63" H	6" W x 6" L x 4.52" H	1.8" W x 3.91" L x 2.7" H	4.75" W x 5.5" L x 2.63" H
Power Input:	Not required	Not required	8-20V AC or 7-30 V DC	8-20V AC or 7-30 V DC
TVS:	No	No	Yes	Yes

For More Information

Services

Expect Relentless Service from our Remote Monitoring Technical Services team.

- Technical support is provided by NACE-certified professionals via phone and email.
- Approximately 98 times out of 100, a highly-qualified professional will answer your very first phone call and handle your questions. No call backs; no phone tag.
- We set you up for success with product training, offered at your place of business or ours.

Contact

For more information, email us at remote_monitoring_sales@aiworldwide.com, call us at [800-229-3404](tel:800-229-3404), or visit us online at aiworldwide.com.

Visit aiworldwide.com for These Resources

[DC Solid State Relay Installation Quick Reference Guide](#)

[AC Solid State Relay Installation Quick Reference Guide](#)

About American Innovations

American Innovations (AI) protects people and the environment by helping our customers safely and efficiently manage the world's energy infrastructure. We deliver proven compliance solutions to virtually every oil and gas transmission pipeline company in North America – from the field to the office. We provide an integrated family of hardware, software and professional services backed by relentless customer service. Our products include: Bullhorn® Remote Monitoring, MicroMax® Current Interrupters, Allegro Field Data PC™, PCS™ compliance software, and Risk Intelligence Platform (RIPL™) software. AI also provides a wealth of professional services including data migration, risk analysis, high consequence area (HCA) analysis, and regulatory compliance consulting.

150824



aiworldwide.com

12211 Technology Blvd. • Austin, TX 78727

800-229-3404 • info@aiworldwide.com